

Eaton B852S-12-12HDG

Catalog Number: B852S-12-12HDG

Eaton B-Line series pole bracket, 7.78" H x 12" L x 12" W, Steel, Hot-dipped galvanized

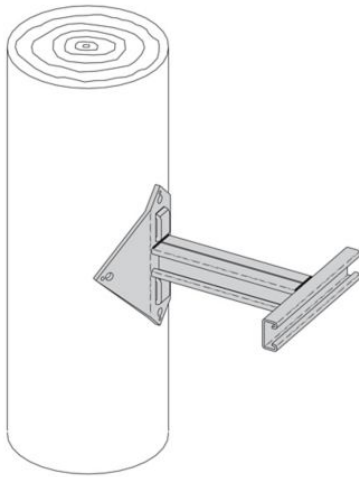


Photo is representative

General specifications

| | |
|----------------------------------|----------------------|
| Product Name | Catalog Number |
| Eaton B-Line series pole bracket | B852S-12-12HDG |
| UPC | Product Length/Depth |
| 781011974138 | 12 in |
| Product Height | Product Width |
| 7.78 in | 12 in |
| Product Weight | Certifications |
| 4.334 lb | Not Applicable |

Model

Type

Bracket

Material/finish

Finish

Hot-dipped galvanized

Material

Steel

Resources

Catalogs

[Channel Nuts and Hardware Catalog Section](#)

[Strut Fittings Catalog Section](#)

Specifications and datasheets

[Eaton Specification Sheet - B852S-12-12HDG](#)



Eaton Corporation plc
Eaton House
30 Pembroke Road
Dublin 4, Ireland
Eaton.com
© 2024 Eaton. All Rights Reserved.

Eaton is a registered trademark.

All other trademarks are property of their respective owners.



[Eaton.com/socialmedia](https://www.eaton.com/socialmedia)